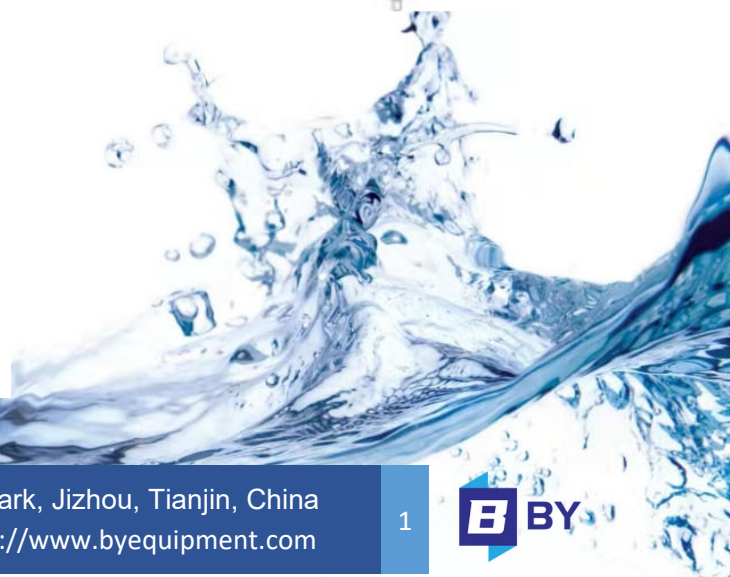
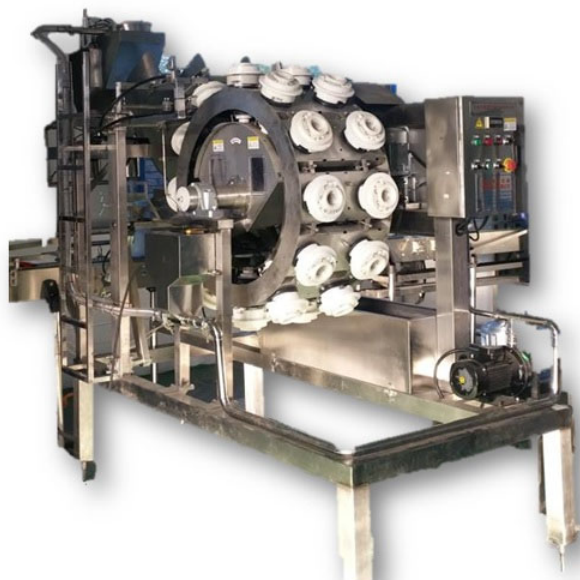
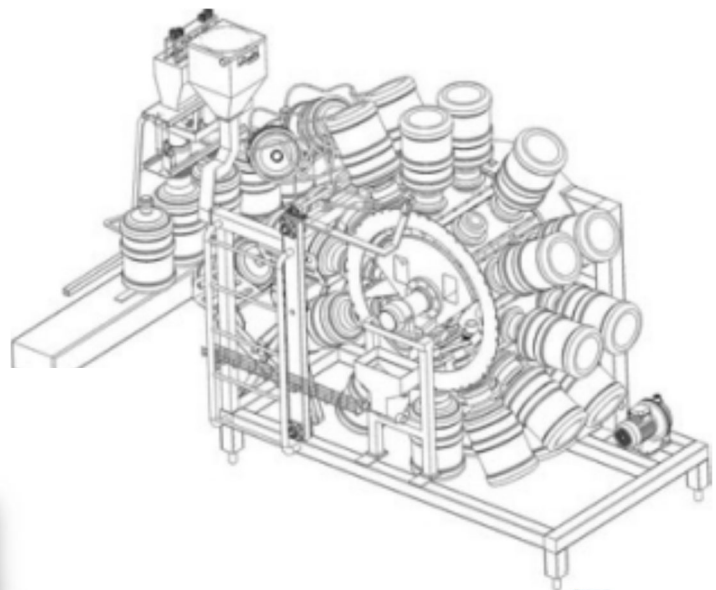




Fully automatic particle friction internal washing machine

BY-NX-1000~4000

Fully automatic particle friction internal washing machine is designed and manufactured for bottled water plants, to assist in automatic washing bottles safely, fast and cost-effective in bottled water plants. This product has a number of national patents.

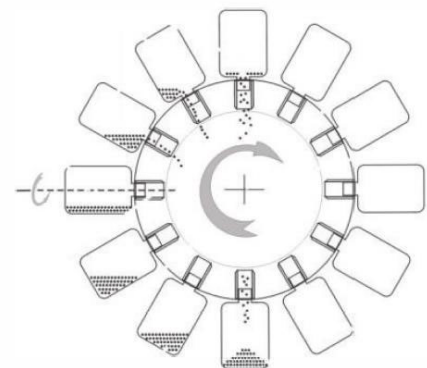




What is new in BY-NX- series

For years, barrel cleaning and sanitizing was a big concern for water battling companies because there was no proper equipment to do this process full automatically. Even in case of use brush washing machine, due to lack of access to barrel corners, the washing process doesn't totally automatic so barrels needed to be rechecked (or even rewashed) by operator. BY-NX-Series as a fully automatic particle friction internal washing machine is invented by Tianjin BoYuan Machinery and Equipment Co., Ltd. (BY) not only to solve this issue but also provide machine with simple structure, easy installation, low maintenance, easy operation and user friendly.

Usage particle friction technology for washing in combination with simultaneous rotation of barrels in two axes including rotating the barrel in line with the main axis of the machine (main drum) as well as rotating the barrel around its axis, provides full access to all corners of the barrel for washing machine as shown in photo.



*Machine videos are available for viewing at:
<https://www.BYequipment.com/products.html>*

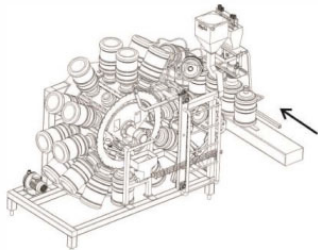
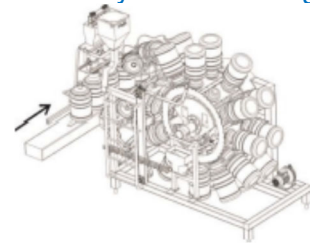
Main Technical Data:

- ▣ Type No.: BY-NX-1000~4000
- ▣ capacity: 900~1000BPH (BY-NX-1000)
- ▣ Barrel size: 18.9 liters (5 Gallons) can be customized
- ▣ Voltage: 380~400V AC
- ▣ Air pressure: 0.6 Mpa
- ▣ Power consumption: 2.3kW
- ▣ Dimensions(L*W*H): 3200*1750*2250 mm (BY-NX-1000)
- ▣ Weight: 550 kg (BY-NX-1000)

Ordering notes :

- 1) The machine could feed from left or right side as per customer factory arrangement. The customer is required to mention machine arrangement and barrel feed in conveyor as following:

- I) The device is on the right side of the barrel feed in conveyor



- II) The device is on the left side of the barrel feed in conveyor

- 2) Working place height: Measure the height in millimeters (mm) from the ground to the barrel feed in conveyor1

